

# Partial BACKUP Service Manual

## LASER TALON

1993

Volume-2  
Electrical

### FOREWORD

This Service Manual has been prepared with the latest service information available at the time of publication. It is subdivided into various group categories and each section contains diagnosis, disassembly, repair, and installation procedures along with complete specifications and tightening references. Use of this manual will aid in properly performing any servicing necessary to maintain or restore the high levels of performance and reliability designed into these outstanding vehicles.

This BACKUP DSM manual is to be used ONLY as a BACKUP. Please DO NOT REDISTRIBUTE WHOLE SECTIONS. This BACKUP was sold to you under the fact that you do indeed OWN a GENUINE DSM MANUAL. It CANNOT BE considered a REPLACEMENT (Unless your original manual was lost or destroyed.)

Please See README.TXT or README.HTML for additional information.

Thank you. Gimmiemymanual@hotmail.com



Chrysler Corporation reserves the right to make changes in design or to make additions to or improvements in its products without imposing any obligations upon itself to install them on its products previously manufactured.

### GROUP/SECTION INDEX

N00AA--

Electrical .....	<b>8</b>
Fusible Link, Fuse and IOD or Storage Connector Location.....	
Inspection Terminal Location .....	
Grounding Location .....	
Relay Location .....	
Sensor Location .....	
Control Unit Location .....	
Solenoid, Solenoid Valve Location .....	
Diode Location .....	
Junction Block .....	
Centralized Junction .....	
Harness Connector Inspection .....	
Trou bleshooting .....	
Configuration Diagrams .....	
Circuit Diagrams .....	
Engine Electrical .....	
Chassis Electrical .....	

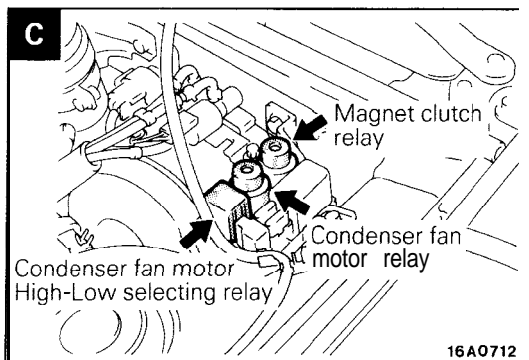
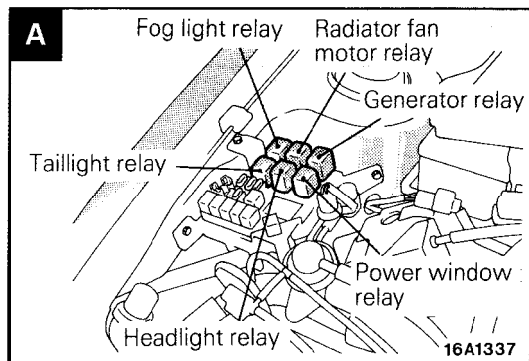
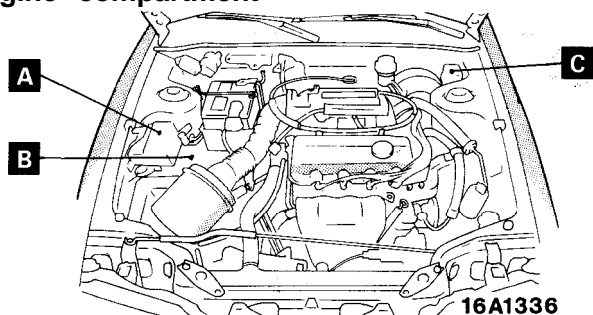
NOTE: For Engine, Chassis & Body, refer to Volume-1 "Engine, Chassis & Body".

# RELAY LOCATION

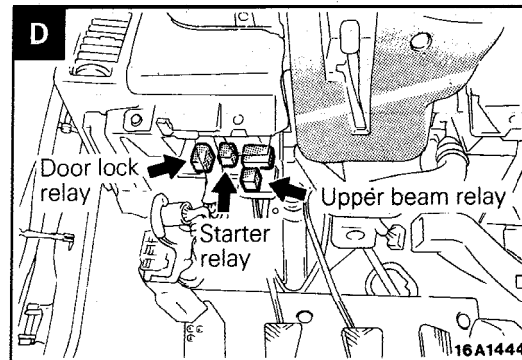
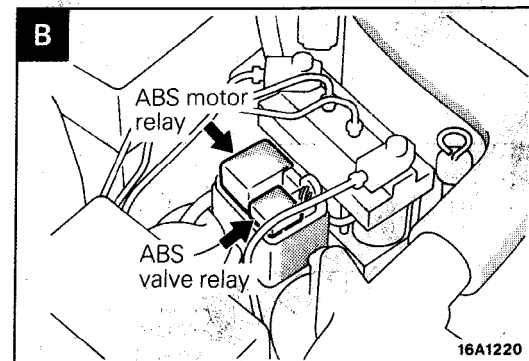
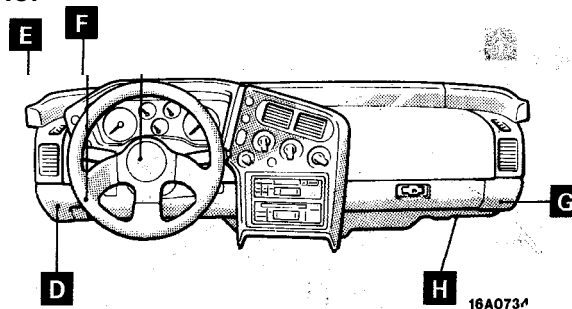
Name	Symbol	Name	Symbol
ABS motor relay	B	Headlight relay	A
ABS power relay	I	Heater relay	E
ABS valve relay	B	Intermittent wiper relay (rear wiper)	J
Automatic seat belt motor relay	J	Intermittent wiper relay (windshield wiper)	F
Blower motor High relay	H	Magnet clutch relay	C
Condenser fan motor High-Low select relay	C	Power window relay	A
Condenser fan motor relay	C	Radiator fan motor relay	A
Dome light relay	J	Starter relay	D
Door lock relay	D	Taillight relay	A
Fog light relay	A	Transistor relay	G
Generator relay	A	Upper beam relay	D

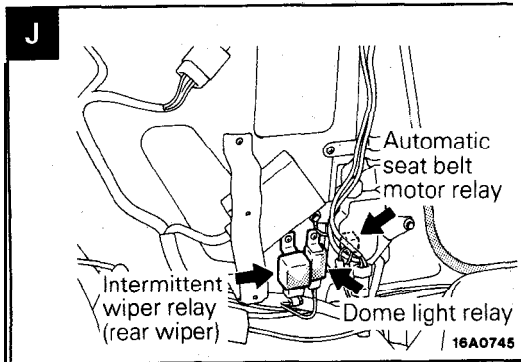
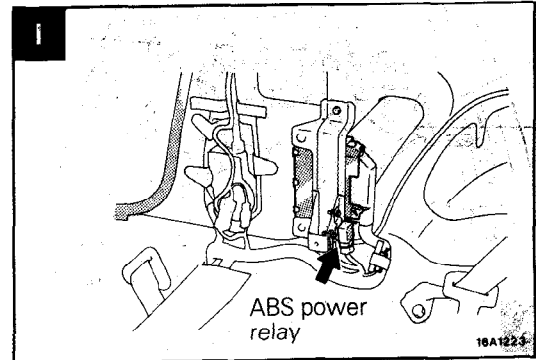
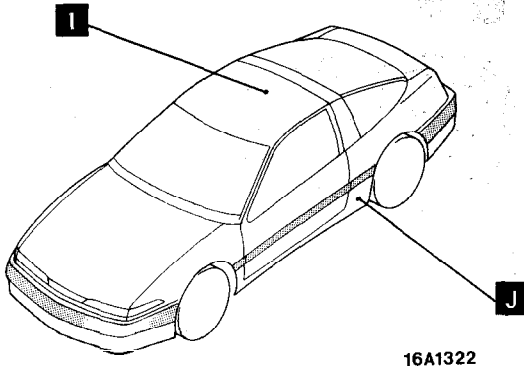
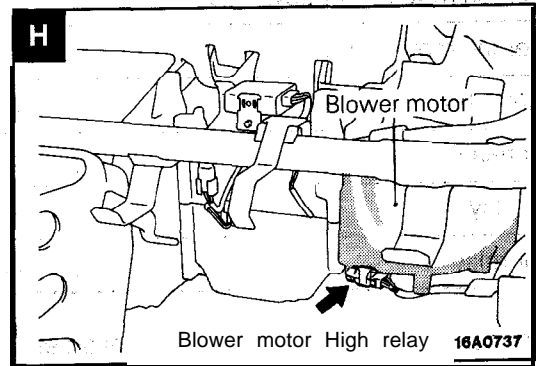
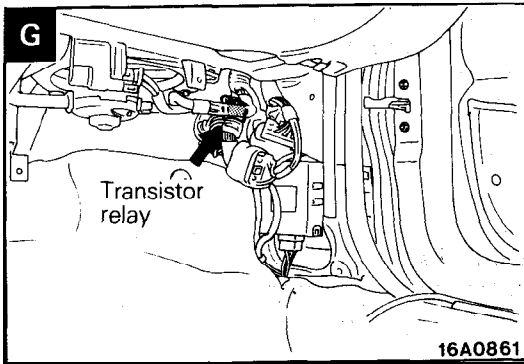
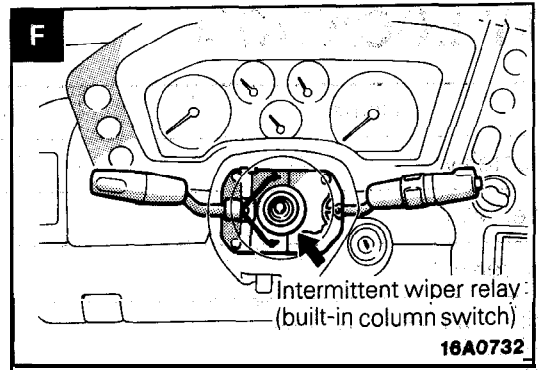
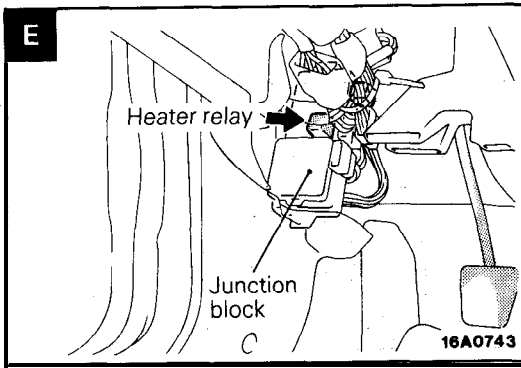
NOTE  
The "Name" column is arranged in alphabetical order.

## Engine compartment



## Interior





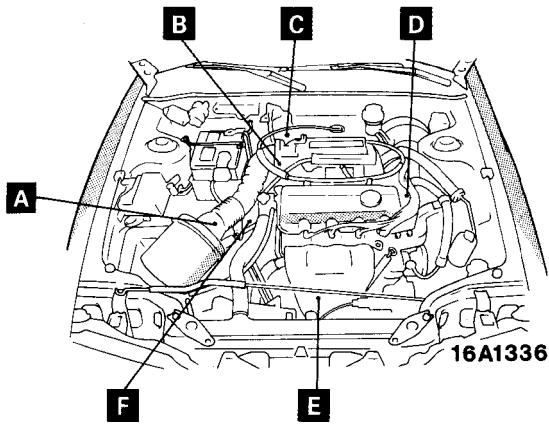
# SENSOR LOCATION

Name	Symbol	Name	Symbol
Air inlet sensor	I	ISC motor position sensor	C
Air thermo sensor	I	Intake air temperature sensor	A
Barometric pressure sensor	A	Knock sensor	G
Camshaft position sensor	D	Oxygen sensor	E
Crankshaft position sensor	D	Rear speed sensor	L
Engine coolant temperature sensor	F	Throttle position sensor	B
Front speed sensor	J	Vehicle-speed sensor (Reed switch)	H
G-sensor	K	Volume air flow sensor	A

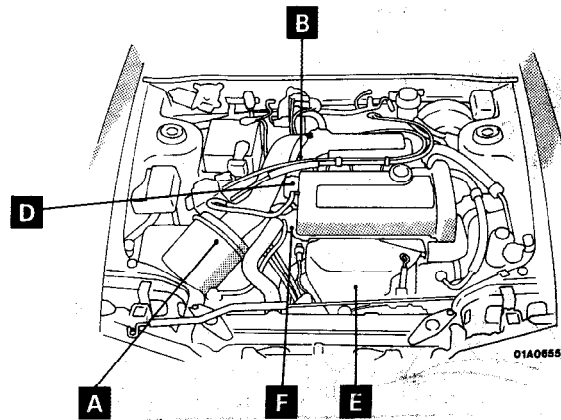
NOTE  
The "Name" column is arranged in alphabetical order.

## Engine compartment

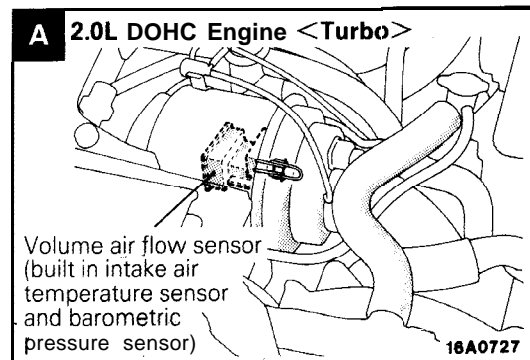
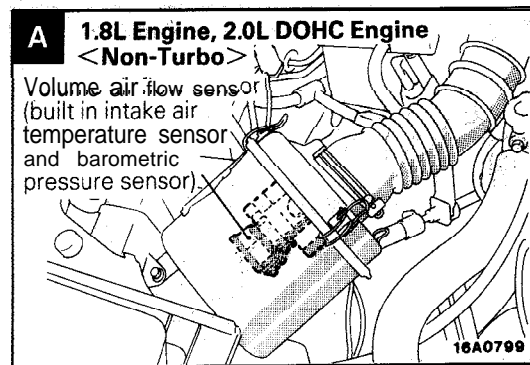
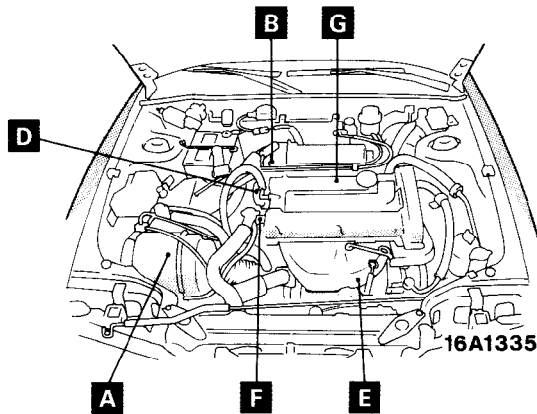
### 1.8L Engine

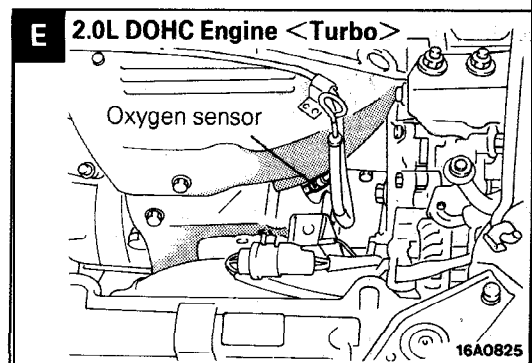
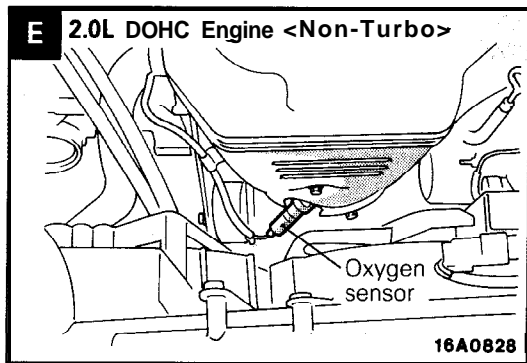
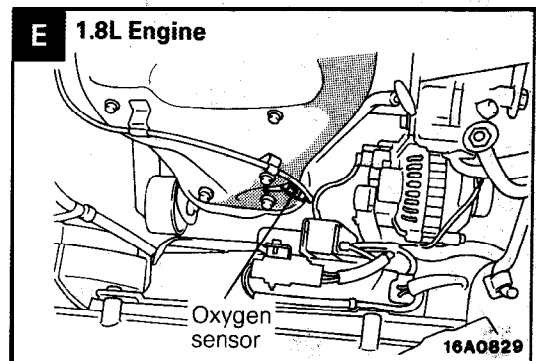
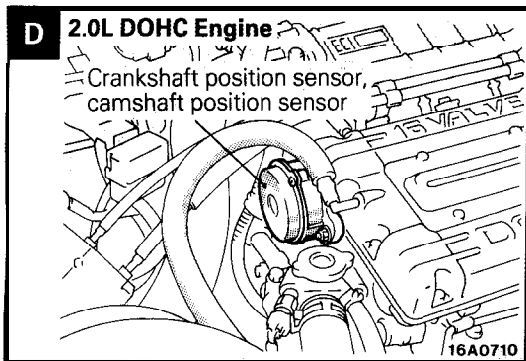
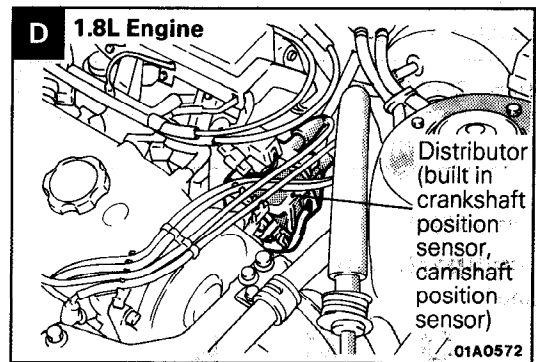
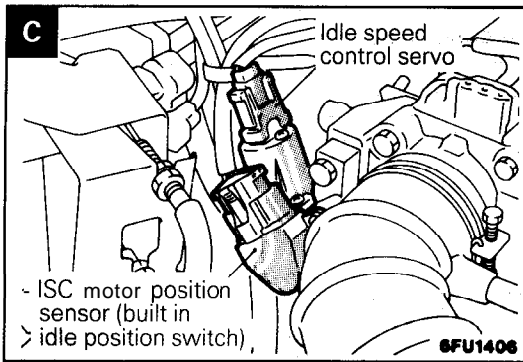
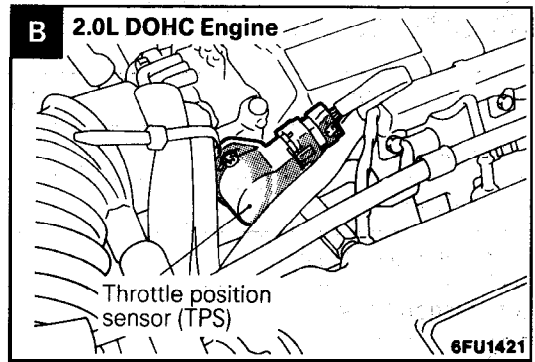
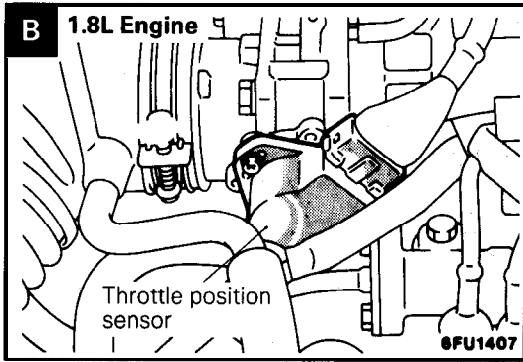


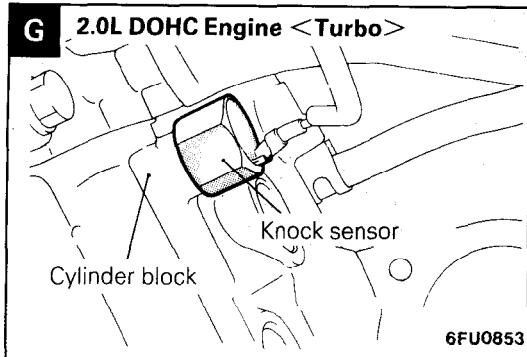
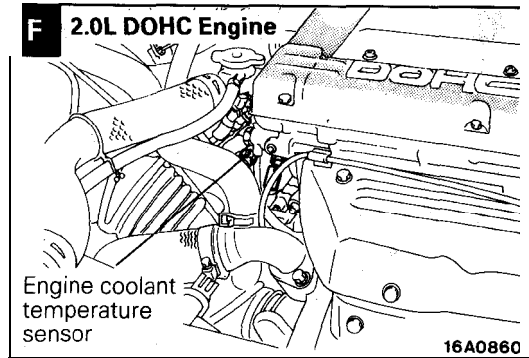
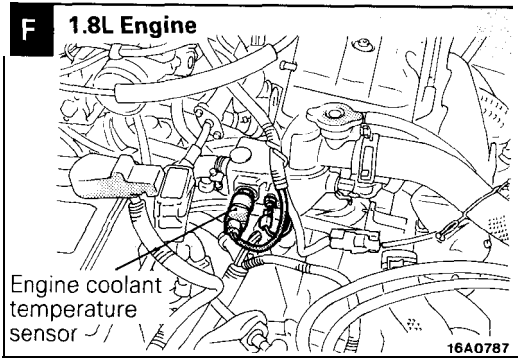
### 2.0L DOHC Engine <Non-Turbo>



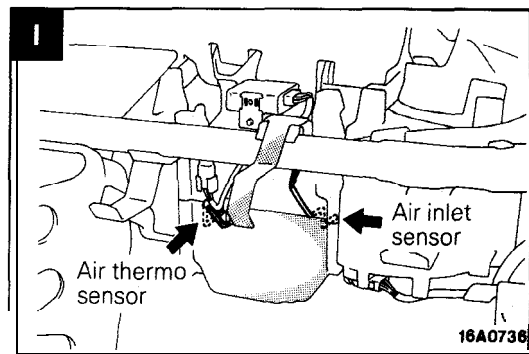
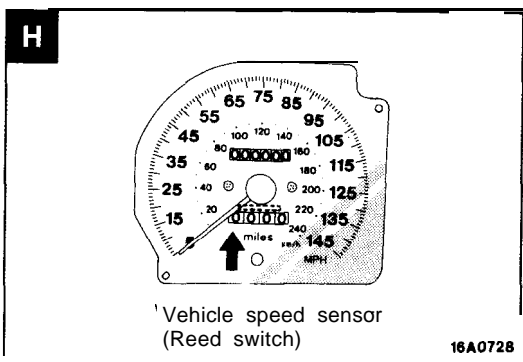
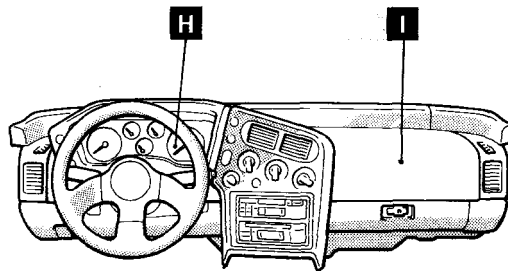
### 2.0L DOHC Engine <Turbo>

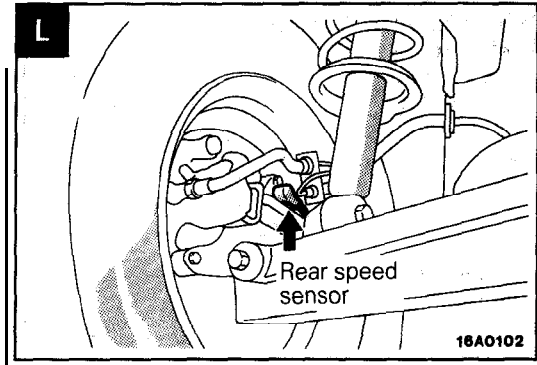
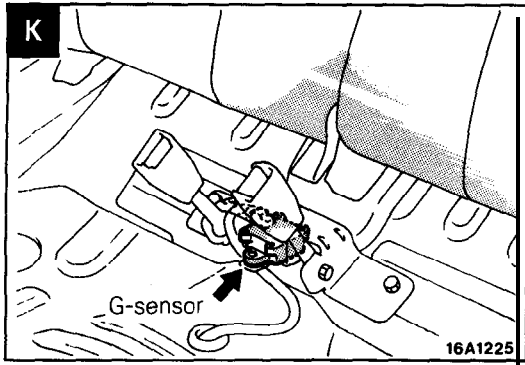
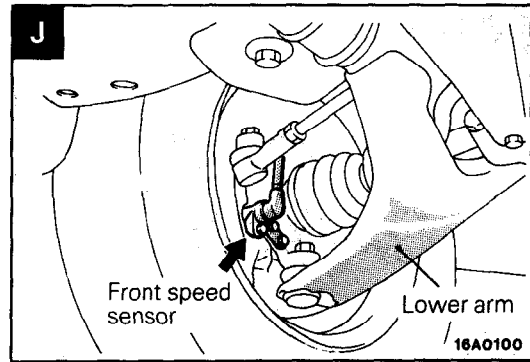
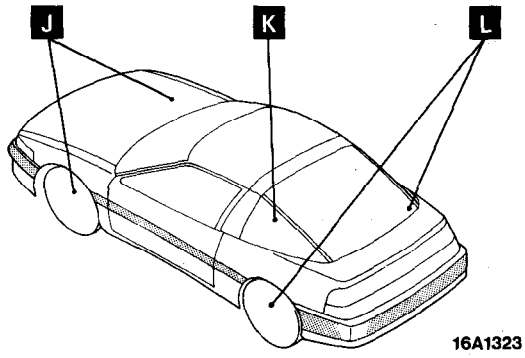






Interior



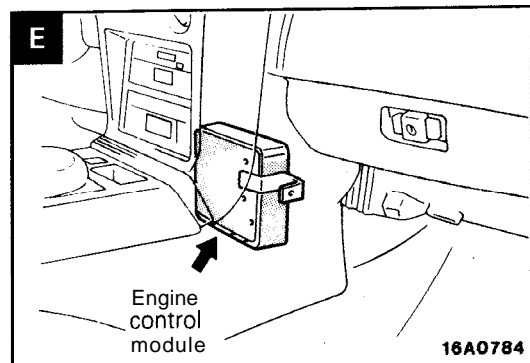
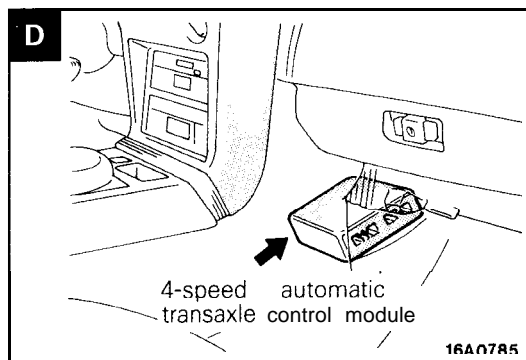
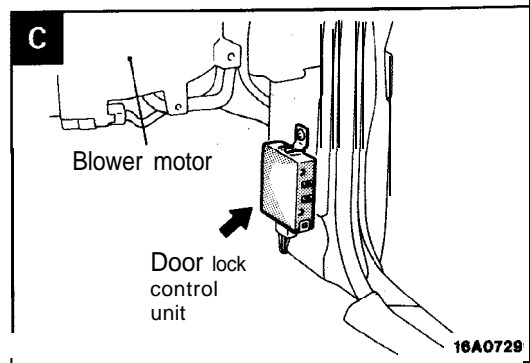
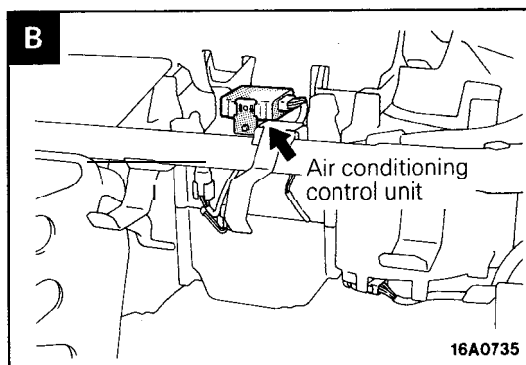
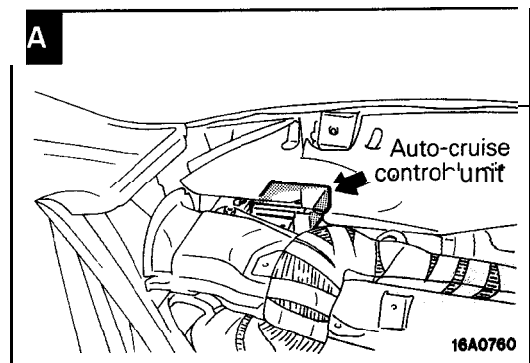
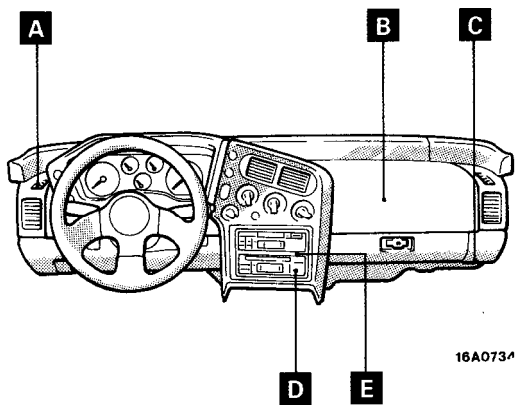


# CONTROL UNIT LOCATION

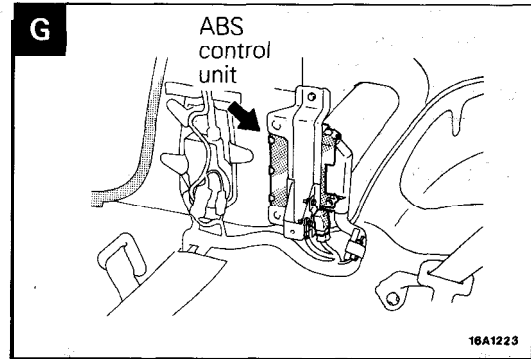
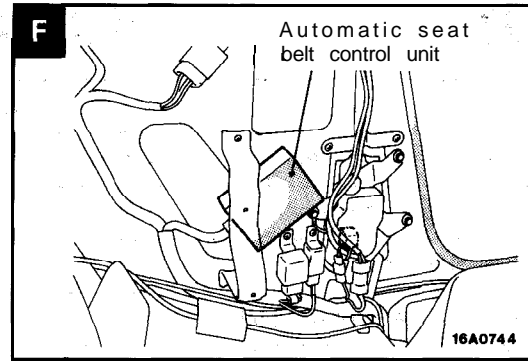
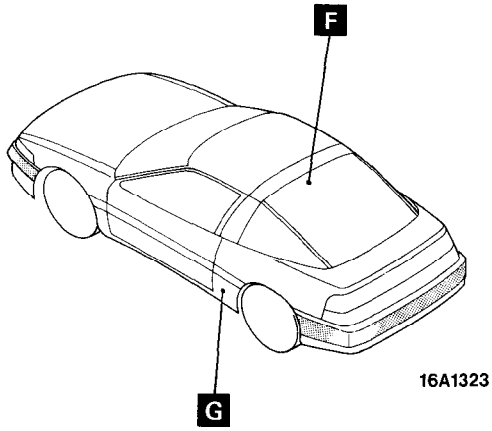
Name	Symbol
4-speed automatic transaxle control module	D
Air conditioning control unit	B
Anti-lock brake control unit	G
Automatic seat belt control unit	F
Door lock control unit	C
Engine control module	E
Auto-cruise control unit	A

NOTE  
The "Name" column is arranged in alphabetical order.

## Interior







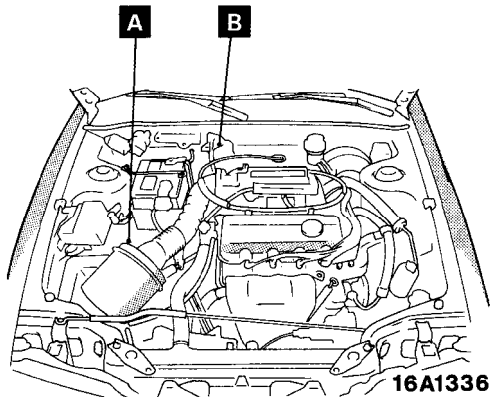
# SOLENOID, SOLENOID VALVE LOCATION

Name	Symbol
4-speed automatic transaxle control solenoid valve	A
EGR solenoid	B
Evaporative emission purge solenoid	B,C
Fuel pressure solenoid	C
Turbocharger waste gate solenoid	C

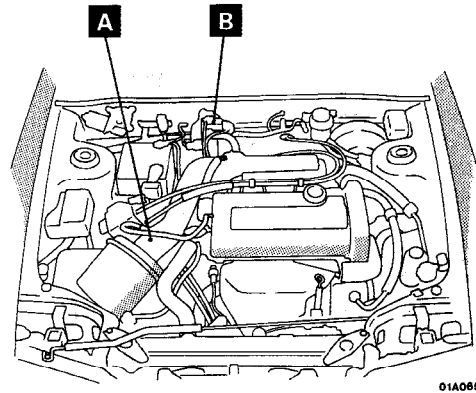
NOTE  
The "Name" column is arranged in alphabetical order.

## Engine compartment

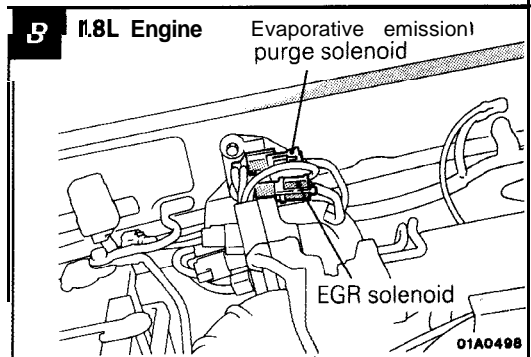
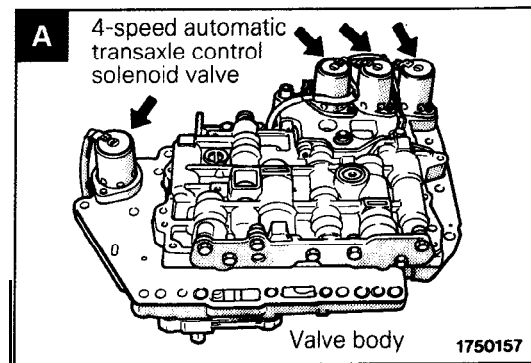
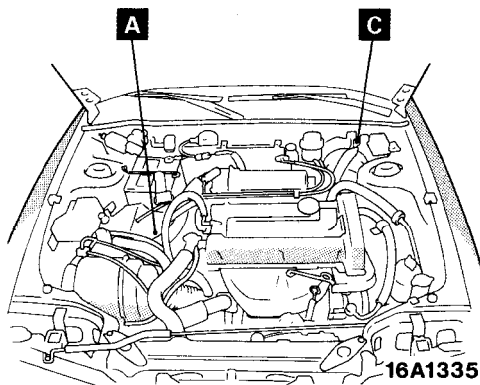
1.8L Engine

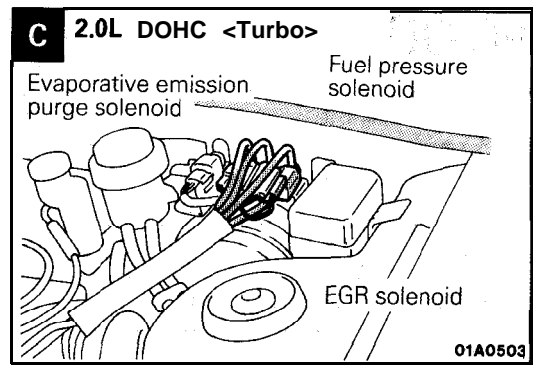
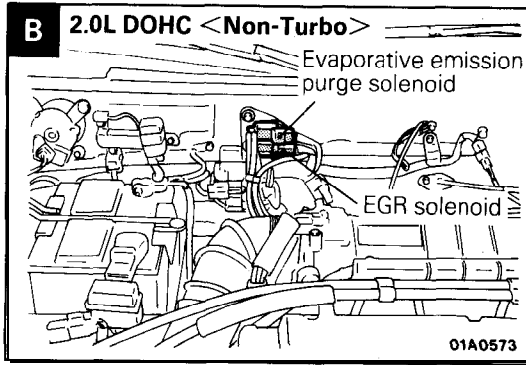


2.0L DOHC Engine <Non-Turbo>



2.0L DOHC Engine <Turbo>





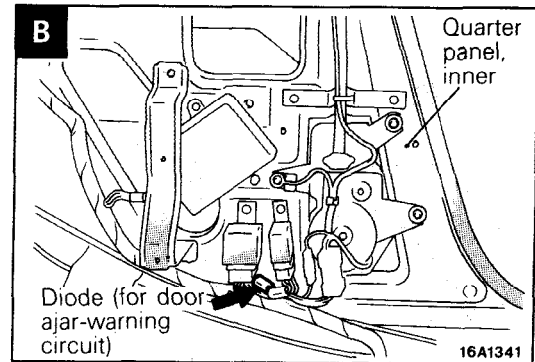
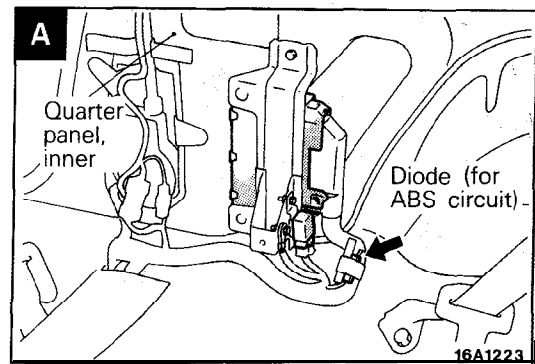
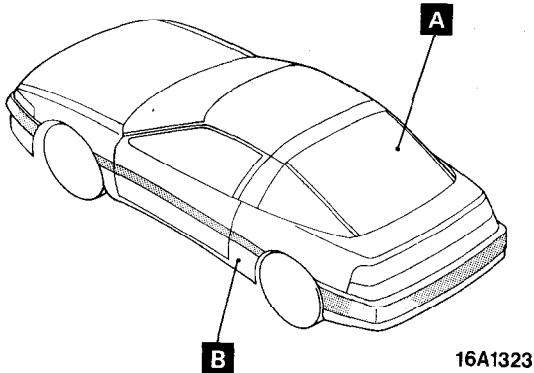
## DIODE LOCATION

<Interior-Rear section>

Name	Symbol
Diode (for ABS circuit)	A
Diode (for door ajar-warning circuit)	B

**NOTE**

The "Name" column is arranged in alphabetical order



---

# CONFIGURATION DIAGRAMS

## CONTENTS

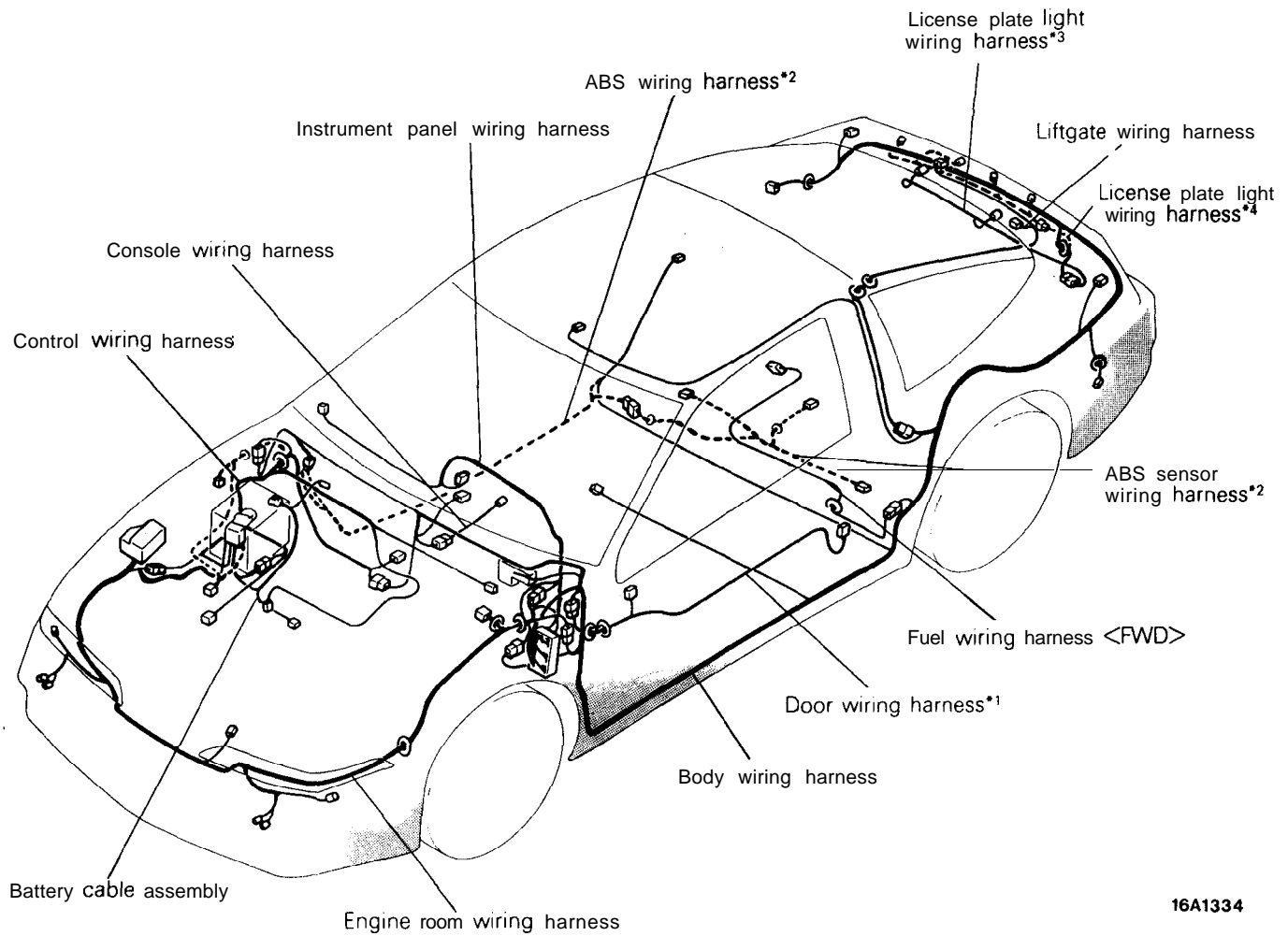
N08VA--

Dash Panel .....	44	Engine Compartment <2.0L DOHC Engine (Turbo)> .....	40
Engine and Transaxle <1.8L Engine> .....	42	How to Read Configuration <i>Diagrams</i> .....	36
Engine and Transaxle <2.0L DOHC Engine> .....	43	instrument Panel and Floor Console .....	47
Engine Compartment <1.8L Engine> .....	36	Interior .....	48
Engine Compartment <2.0L DOHC Engine (Non-Turbo)> .....	38	Overall Configuration Diagram .....	34



## OVERALL CONFIGURATION DIAGRAM

N08VB--



16A1334

## NOTE

- (1) This illustration shows only the major wiring harness
- (2) • indicates also equipped at the right side.
- (3) \*<sup>2</sup> indicates vehicles with ABS.
- (4) • 3 indicates PLYMOUTH Laser.
- (5) \*<sup>4</sup> indicates EAGLE Talon.

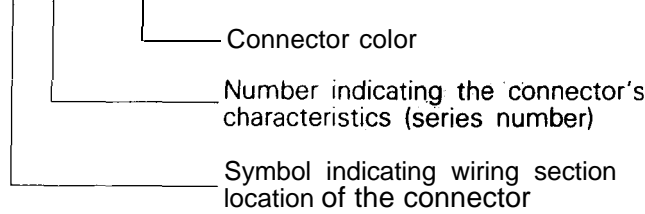
NO8VCAI

# HOW TO READ CONFIGURATION DIAGRAMS

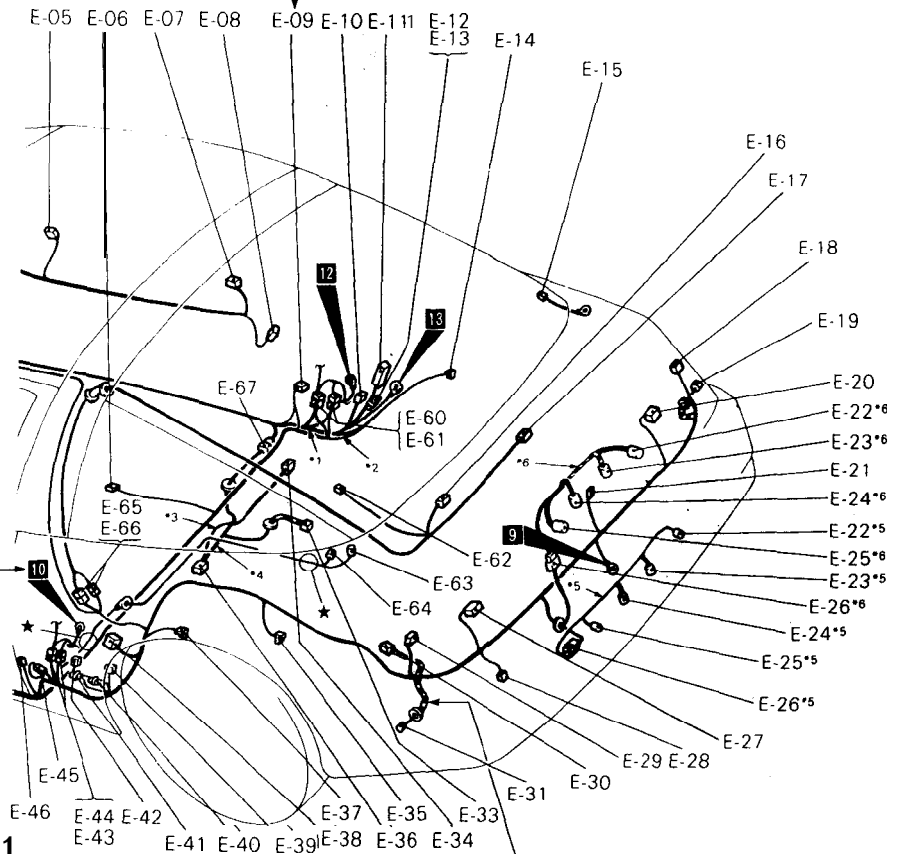
The wiring diagrams are prepared in such a way that the arrangement of connectors for each vehicle, and the routing of each harness, can be easily understood for each individual wiring section.

Indicates the connector number.  
 The connector number used is the same number as that used for circuit diagrams; these numbers facilitate the location of the connector positions.  
 The alphabet letter used as the prefix represents the wiring section in which that connector is used; subsequent numerals make up the number that indicates particular characteristics of that individual connector. As a general rule, numbers are assigned clockwise around the wiring diagram.  
*Note* that, if there is a concentration of connectors with the same form (same number of pins), the connectors' colors are noted in order to facilitate identification.

Example: A-1 2 (Black)



- A: Engine compartment
- B: Engine and transaxle
- C: Dash panel
- D: Instrument panel and floor console
- E: Interior



36A0274

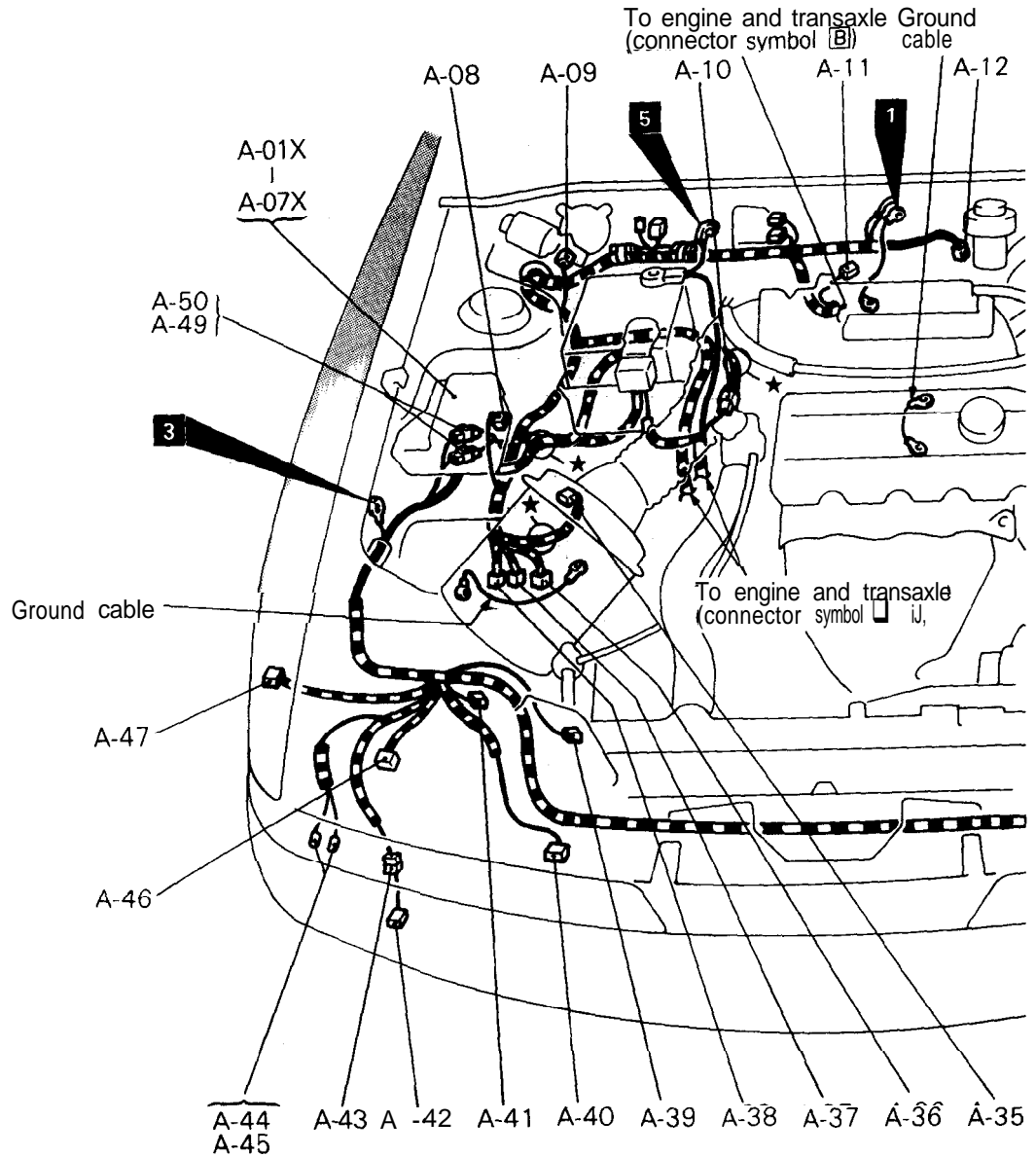
Indicates ground point.  
 The ground number used is the same number as that used for circuit diagrams; these numbers facilitate the location of the ground points. For detailed information concerning ground points, refer to P.8-4.

Represents the part concealed by corrugated tubing.

ENGINE COMPARTMENT <1.8L Engine>

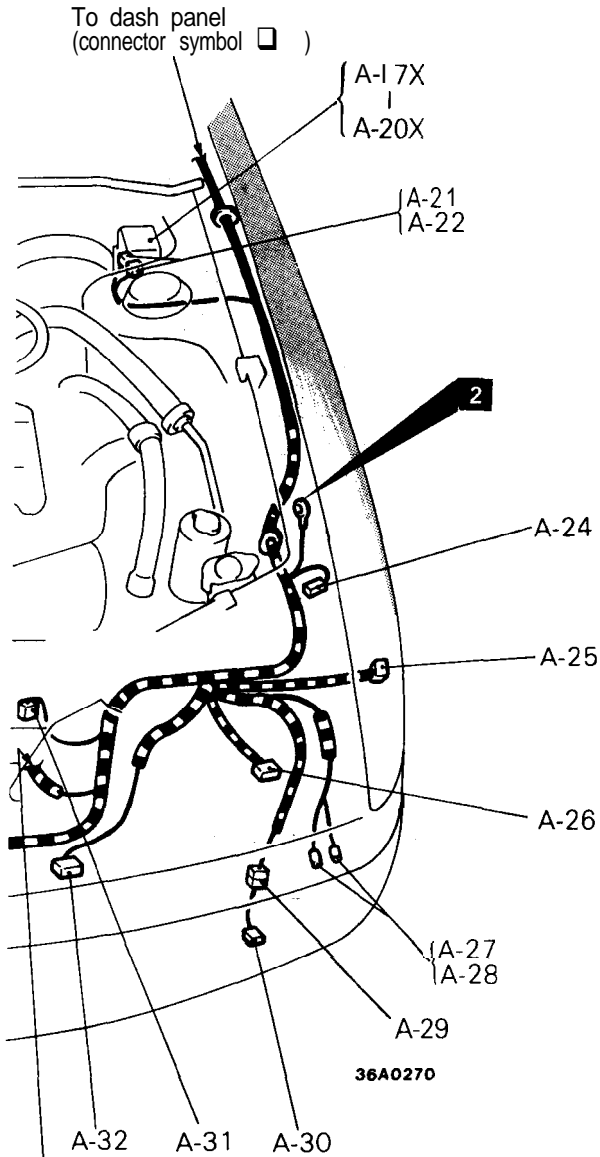
Connector symbol

**A**



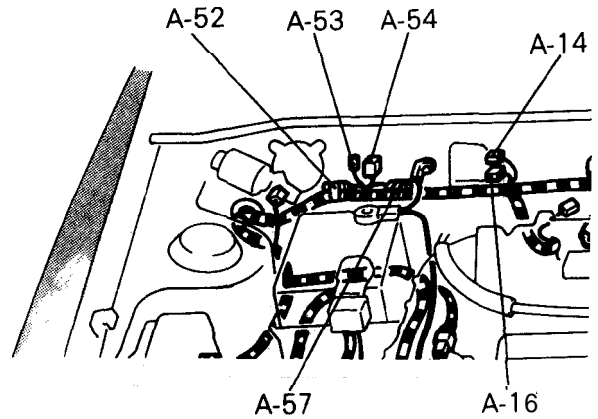
- A-01X IOD or storage connector
  - A-02X Taillight relay
  - A-03X Headlight relay
  - A-04X Power window relay
  - A-05X Fog light relay
  - A-06X Radiator fan motor relay
  - A-07X Generator relay
  - A-08 Dual pressure switch (for air conditioning circuit)
  - A-09 Wiper motor
  - A-10 Control wiring harness and battery cable assembly combination
  - A-11 Auto-cruise control vacuum pump
  - A-12 Brake fluid level sensor
  - A-13 —
  - A-14 Evaporative emission purge solenoid
  - A-15 —
  - A-16 EGR solenoid (Vehicles for California)
- } Refer to CENTRALIZED JUNCTION

- A-17X Condenser fan motor high-low changeover relay
  - A-18X Condenser fan motor relay
  - A-19X Magnetic clutch relay
  - A-20X Condenser
  - A-21 Air conditioning relay box
  - A-22 —
  - A-23 —
  - A-24 Washer motor
  - A-25 Front side marker light (Left side)
  - A-26 Headlight (Left side)
  - A-27 } Horn (Left side)
  - A-28 }
  - A-29 Engine compartment wiring harness and fog light sub harness combination
  - A-30 Fog light (Left side)
  - A-31 Condenser fan motor (for air conditioning circuit)
  - A-32 Front combination light (Left side)
- } Refer to CENTRALIZED JUNCTION (for air conditioning circuit)



36A0270

To engine and transaxle  
(connector symbol □)



36A0270

- A-33 —
- A-34 —
- A-35 Volume air flow sensor
- A-36 Automatic transaxle fluid temperature sensor
- A-37 Kickdown servo switch <A/T>
- A-38 Pulse generator <A/T>
- A-39 Radiator fan assembly
- A-40 Front combination light (Right side)
- A-41 Radiator water level switch
- A-42 Fog light (Right side)
- A-43 Engine compartment wiring harness and fog light sub harness combination
- A-44 } Horn (Right side)
- A-45 }
- A-46 Headlight (Right side)
- A-47 Front side marker light (Right side)
- A-48 —

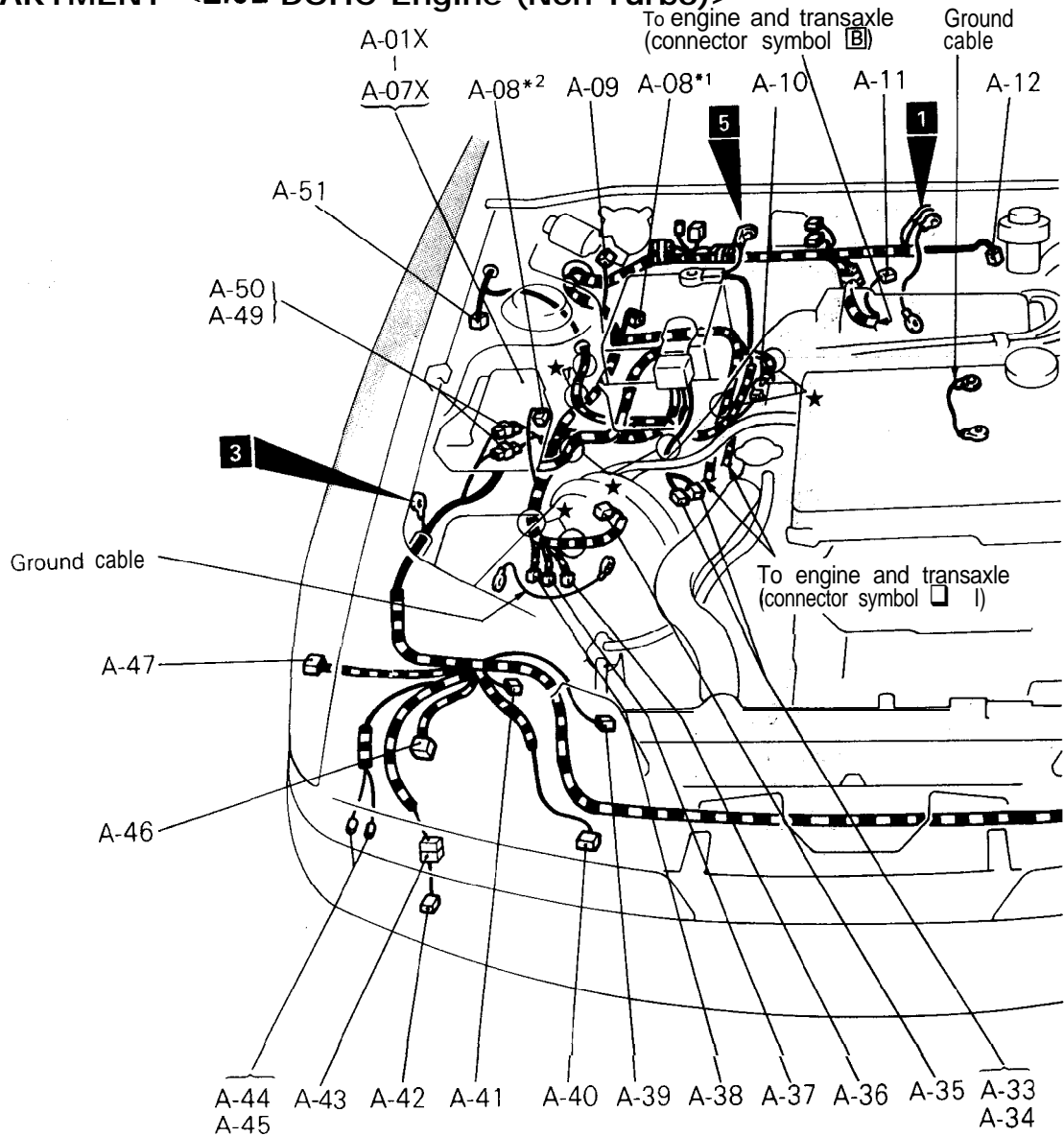
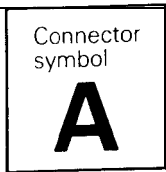
- A-49 } Control wiring harness and engine
- A-50 } compartment wiring harness combination
- A-51 —
- A-52 Fuel pump check connector
- A-53 Noise condenser
- A-54 Defogger relay
- A-55 —
- A-56 —
- A-57 Ignition timing adjustment connector

Remarks

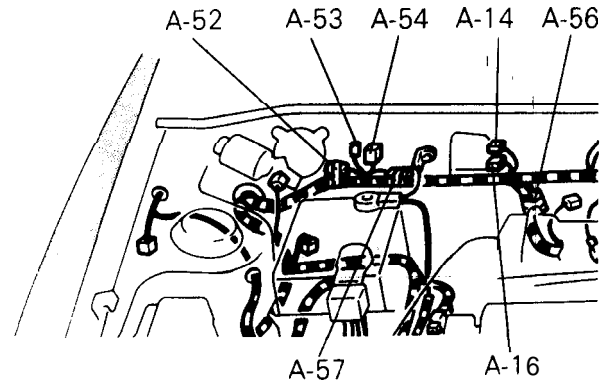
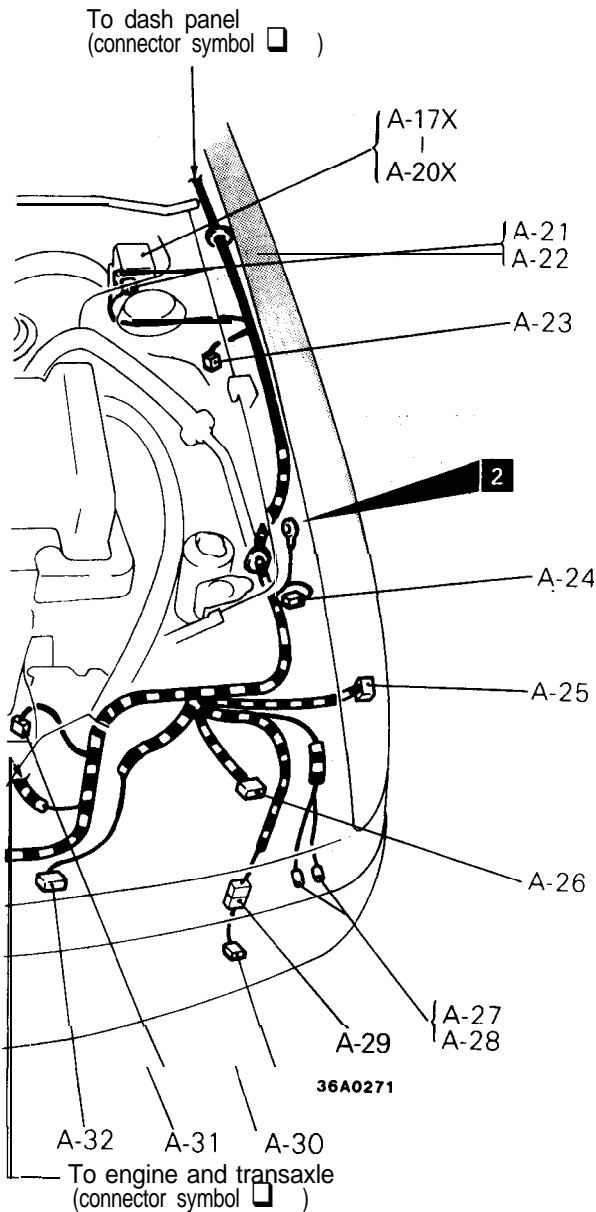
- (1) The mark ★ shows the standard mounting position of wiring harness.
- (2) For details concerning the ground point (example: ■), refer to P.8-4.
- (3) “—” means that the connector with code-number is not used.
- (4) IOD: Ignition Off Draw



ENGINE COMPARTMENT <2.0L DOHC Engine (Non-Turbo)>



- |   |   |   |   |
|---|---|---|---|
| A-01X IOD or storage connector  | } Refer to<br>CENTRALIZED<br>JUNCTION   | A-1 7X Condenser fan motor<br>high-low changeover relay | } Refer to<br>CENTRALIZED<br>JUNCTION<br>(for air<br>conditioning<br>circuit) |
| A-02X Taillight relay   |   | A-1 8X Condenser fan motor relay                        |   |
| A-03X Headlight relay   |   | A-1 9X Magnetic clutch relay                            |   |
| A-04X Power window relay  |   | A-20X Condenser   |   |
| A-05X Fog light relay   |   | A-21 } Air conditioning relay box                       |   |
| A-06X Radiator fan motor relay  |   | A-22 }  |   |
| A-07X Generator relay   |   | A-23 ABS front speed sensor (Left side)                 |   |
| A-08 Dual pressure switch<br>(for air conditioning circuit)           | A-24 Washer motor   |   |   |
| A-09 Wiper motor  | A-25 Front side marker light (Left side)  |   |   |
| A-10 Control wiring harness and battery cable<br>assembly combination | A-26 Headlight (Left side)  |   |   |
| A-11 Auto-cruise control vacuum pump                                  | A-27 } Horn (Left side)   |   |   |
| A-12 Brake fluid level sensor   | A-28 }  |   |   |
| A-13 —  | A-29 Engine compartment wiring harness and fog<br>light sub harness combination |   |   |
| A-14 Evaporative emission purge solenoid                              | A-30 Fog light (Left side)  |   |   |
| A-15 —  | A-31 Condenser fan motor  |   |   |
| A-16 EGR solenoid<br>(Vehicles for California)                        | A-32 Front combination light (Left side)  |   |   |



36A0271

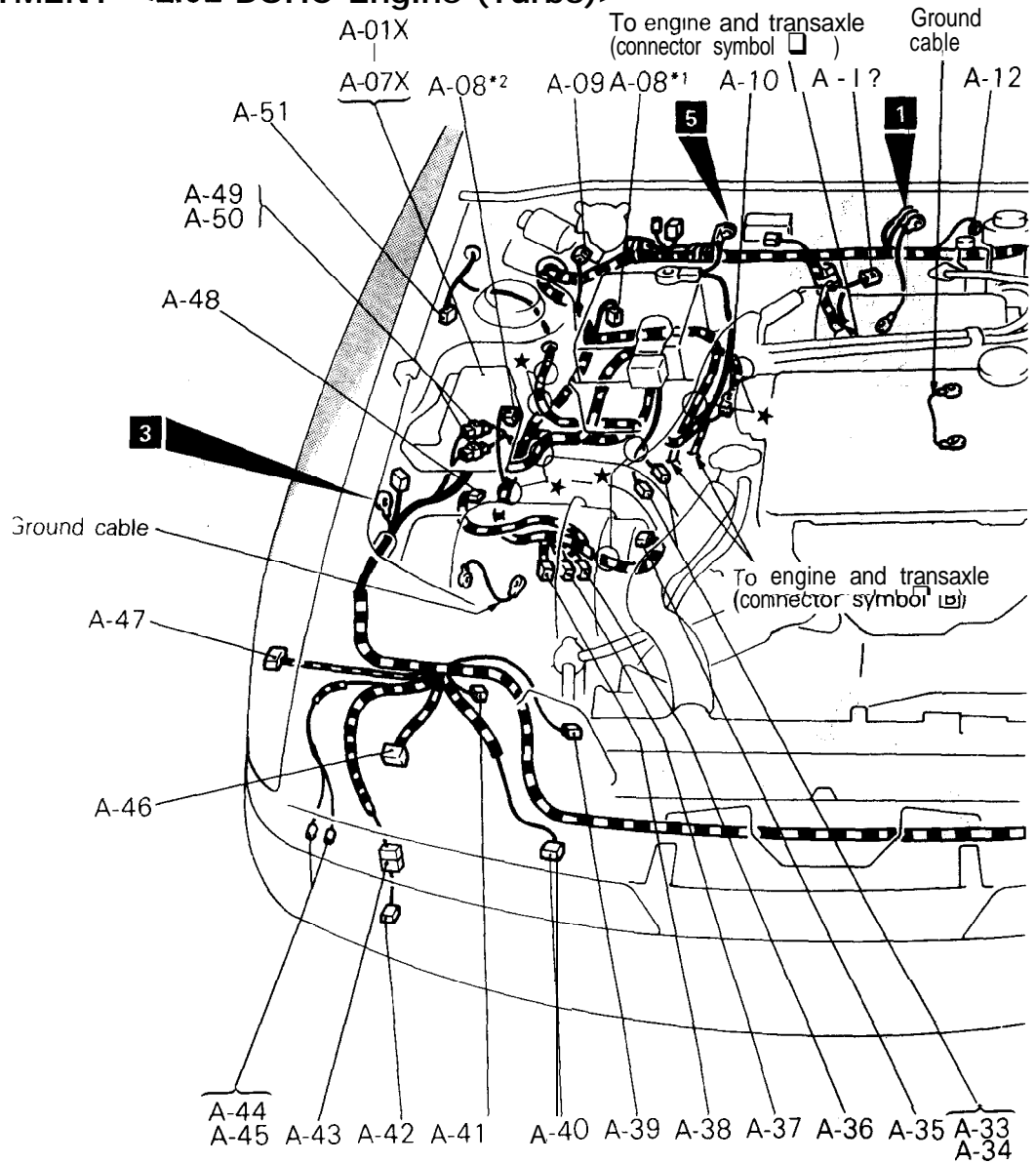
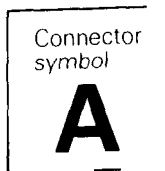
- A-33 } Hydraulic unit
- A-34 } Hydraulic unit
- A-35 Volume air flow sensor
- A-36 Automatic transaxle fluid temperature sensor
- A-37 Kickdown servo switch <A/T>
- A-38 Pulse generator <A/T>
- A-39 Radiator fan assembly
- A-40 Front combination light (Right side)
- A-41 Radiator water level switch
- A-42 Fog light (Right side)
- A-43 Engine compartment wiring harness and fog light sub harness combination
- A-44 Horn (Right side)
- A-45 |
- A-46 Headlight (Right side)
- A-47 Front side marker light (Right side)
- A-48 —

- A-49 } Control wiring harness and engine
- A-50 } compartment wiring harness combination
- A-51 ABS front speed sensor (Right side)
- A-52 Fuel pump check connector
- A-53 Noise condenser
- A-54 Defogger relay
- A-55 —
- A-56 Engine speed adjustment connector
- A-57 Ignition timing adjustment connector

Remarks

- (1) The mark ★ shows the standard mounting position of wiring harness
- (2) For details concerning the ground point (example: 1), refer to P.8-4.
- (3) "—" means that the connector with code-number is not used.
- (4) The wiring indicated by the • I symbol is applicable to vehicles with ABS and the wiring indicated by the \*2 symbol is applicable to vehicles without ABS.
- (5) IOD : Ignition Off Draw

ENGINE COMPARTMENT <2.0L DOHC Engine (Turbo)>

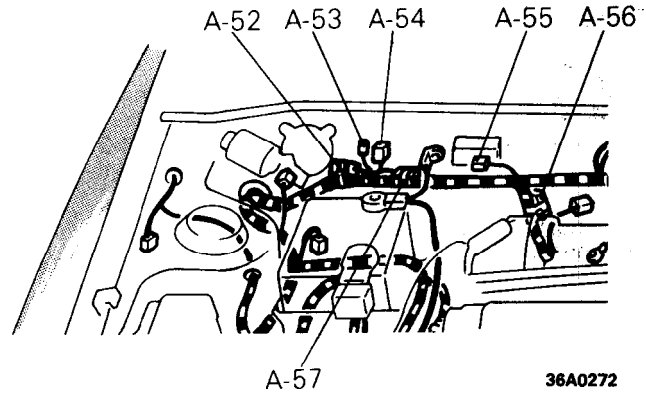
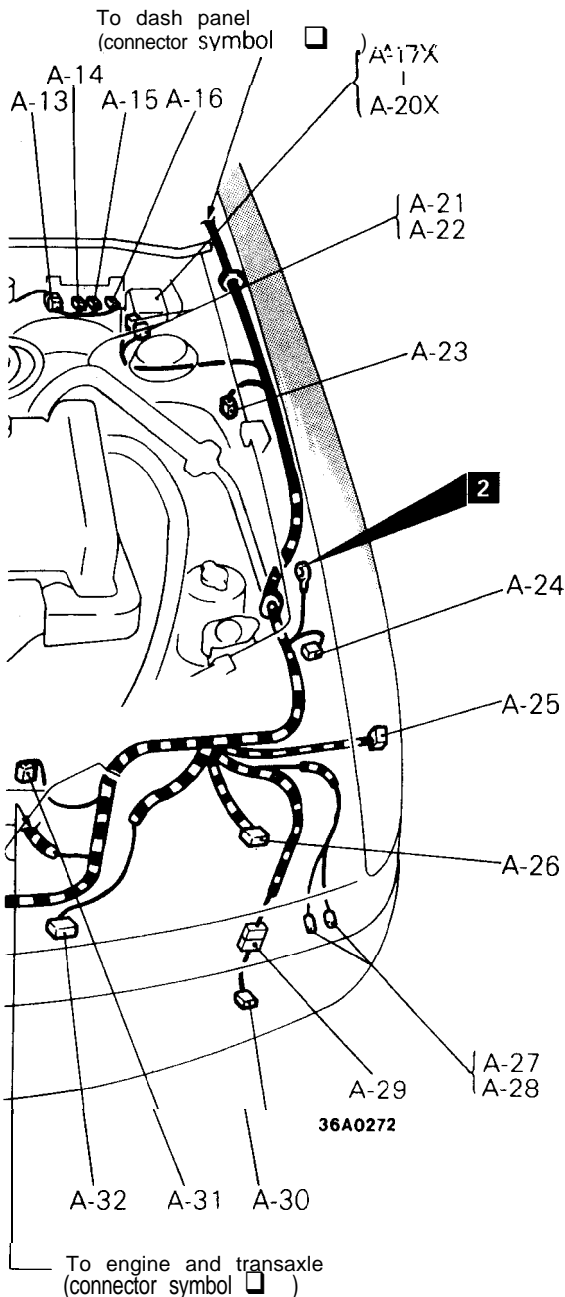


- A-01X IOD or storage connector
- A-02X Taillight relay
- A-03X Headlight relay
- A-04X Power window relay
- A-05X Fog light relay
- A-06X Radiator fan motor relay
- A-07X Generator relay
- A-08 Dual pressure switch (for air conditioning circuit)
- A-09 Wiper motor
- A-10 Control wiring harness and battery cable assembly combination
- A-11 Auto-cruise control vacuum pump
- A-12 Brake fluid level sensor
- A-13 Control wiring harness and solenoid valve harness assembly combination
- A-14 Evaporative emission purge solenoid
- A-15 Dual pressure solenoid valve
- A-16 Air solenoid
- A-17 (vehicles for California)

Refer to CENTRALIZED JUNCTION

- A-17X Condenser fan motor high-low changeover relay
- A-18X Condenser fan motor relay
- A-19X Magnetic clutch relay
- A-20X Condenser
- A-21 } Air conditioning relay box
- A-22 }
- A-23 ABS front speed sensor (Left side)
- A-24 Washer motor
- A-25 Front side marker light (Left side)
- A-26 Headlight (Left side)
- A-27 } Horn (Left side)
- A-28 }
- A-29 Engine compartment wiring harness and fog light sub harness combination
- A-30 Fog light (Left side)
- A-31 Condenser fan motor (for air conditioning circuit)
- A-32 Front combination light (Left side)

Refer to CENTRALIZED JUNCTION (for air conditioning circuit)



36A0272

36A0272

- A-33 } Hydraulic unit
- A-34 } Hydraulic unit
- A-35 Volume air flow sensor
- A-36 Automatic transaxle fluid temperature sensor
- A-37 Kickdown servo switch <A/T>
- A-38 Pulse generator <A/T>
- A-39 Radiator fan assembly
- A-40 Front combination light (Right side)
- A-41 Radiator water level switch
- A-42 Fog light (Right side)
- A-43 Engine compartment wiring harness and fog light sub harness combination
- A-44 Horn (Right side)
- A-45 Horn (Right side)
- A-46 Headlight (Right side)
- A-47 Front side marker light (Right side)
- A-48 Turbocharger waste gate solenoid
- A-49 } Control wiring harness and engine compartment wiring harness combination
- A-50 }

- A-51 ABS front speed sensor (Right side)
- A-52 Fuel pump check connector
- A-53 Noise condenser
- A-54 Defogger relay
- A-55 Resistor
- A-56 Engine speed adjustment connector
- A-57 Ignition timing adjustment connector

Remarks

- (1) The mark ★ shows the standard mounting position of wiring harness.
- (2) For details concerning the ground point (example: **1**), refer to P.8-4.
- (3) The wiring indicated by the • 1 symbol is applicable to vehicles with ABS and the wiring indicated by the • 2 symbol is applicable to vehicles without ABS.
- (4) IOD: Ignition Off Draw

# LIGHTING SYSTEM

## SPECIFICATIONS

### GENERAL SPECIFICATIONS

NOBIB--

Items	Specifications
Exterior lights	
Headlight	W 65/55
Fog light	W 25
Front combination light	
Turn-signal and position light	C P 24/2.2
Front side marker light	CP 3
Rear side marker light	CP 3
Rear combination light	
Tail light* <sup>1</sup>	C P 32/2 (2057)* <sup>1</sup>
Turn-signal, stop and taillight* <sup>1</sup>	C P 32/2 (2057)* <sup>1</sup>
Turn-signal light* <sup>2</sup>	CP 32 (1 156)* <sup>2</sup>
'Stop and tail light'*	C P 32/2 (2057)* <sup>2</sup>
Back-up light* <sup>1</sup>	W 2 7 "
Back-up light* <sup>2</sup>	CP 21* <sup>2</sup>
License plate light	W 5
High-mounted stop light	W 27 or 5* <sup>3</sup>
Interior lights	
Front dome light	
Dome light	W 8
Stop light	W 8
Foot light	W 3.4
Glove compartment light	W 3.4
Luggage compartment light	W 5

## NOTE

- \*<sup>1</sup> PLYMOUTH Laser
- \*<sup>2</sup> EAGLE Talon
- \*<sup>3</sup>: Vehicles with rear air spoiler
- The values in parentheses denote SAE trade numbers.

### SERVICE SPECIFICATIONS

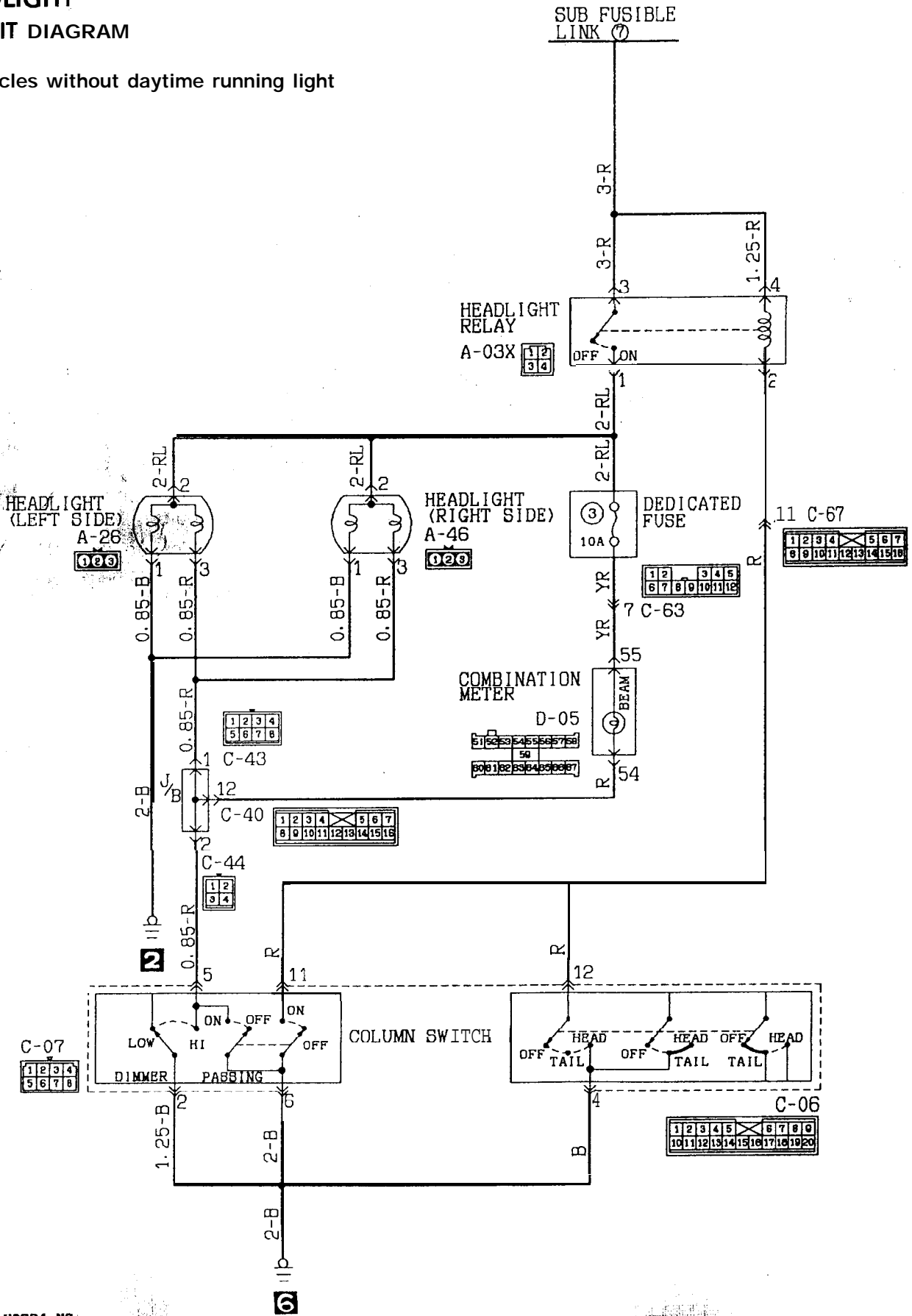
NOBIC--

Items	Specifications
Limit	
Headlight intensity	20,000 cd or more

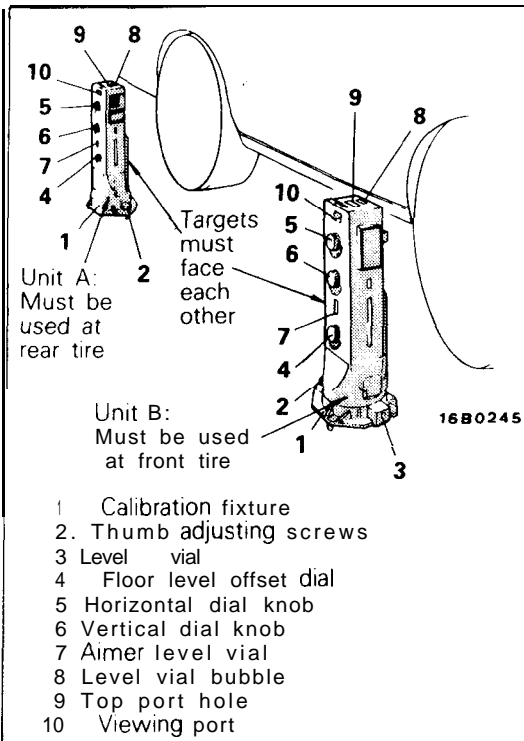
# TROUBLESHOOTING

## HEADLIGHT CIRCUIT DIAGRAM

Vehicles without daytime running light







## SERVICE ADJUSTMENT PROCEDURES

NO811AF

### HEADLIGHT AIMING

#### PRE-AIMING INSTRUCTIONS

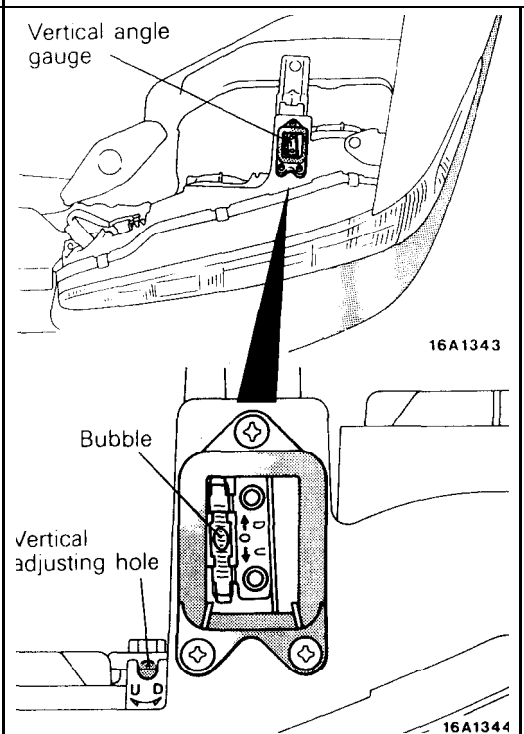
1. Test dimmer switch operation.
2. Observe operation of high beam light mounted in instrument cluster.
3. inspect for badly rusted or faulty headlight assemblies. These conditions must be corrected before a satisfactory adjustment can be made.
4. Place vehicle on a level floor.
5. Bounce front suspension through three (3) oscillations by applying body weight to hood or bumper.
6. Inspect tire inflation.
7. Rock vehicle sideways to allow vehicle to assume its normal position.
8. If fuel tank is not full, place a weight in trunk of vehicle to simulate weight of a full tank [3 kg (6.5 lbs.) per gallon].
9. There should be no other load in the vehicle other than driver or substituted weight of approximately 70 kg (150 lbs.) placed in driver's position.
10. Thoroughly clean headlight lenses.

#### VERTICAL ADJUSTING

Insert the screwdriver into the vertical adjusting hole, and turn it clockwise or counterclockwise to bring the bubble of the vertical angle gauge to the center.

#### NOTE

The beam angle will change about  $0^{\circ}19'$  with one mark.

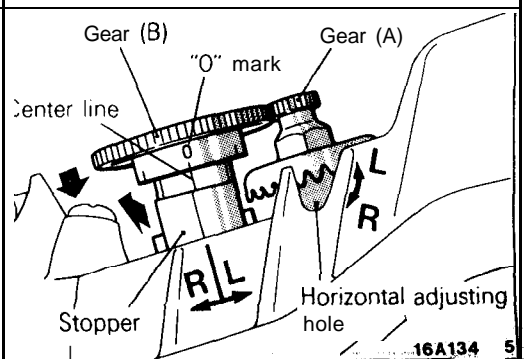


#### HORIZONTAL ADJUSTING

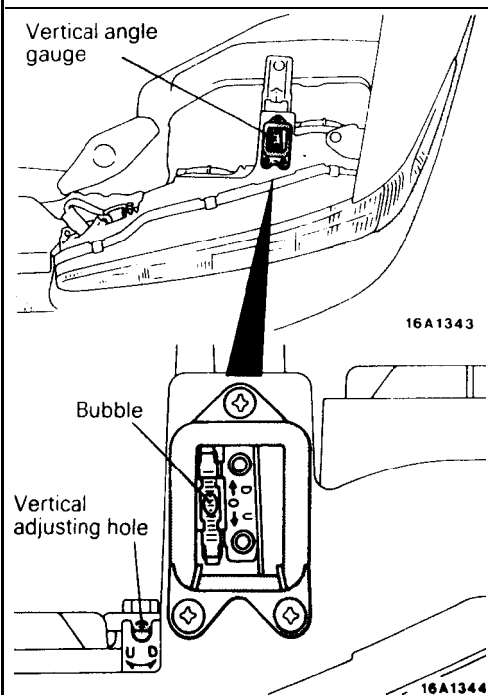
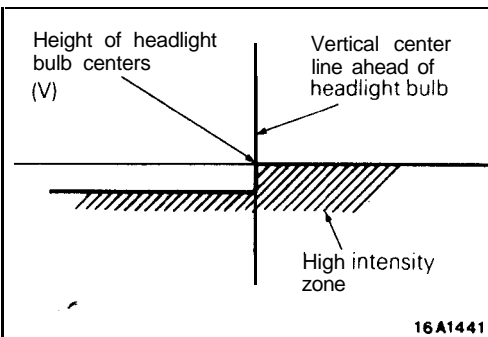
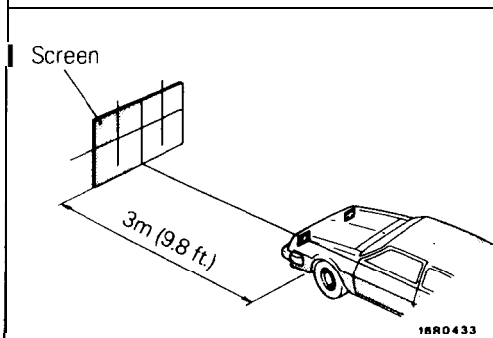
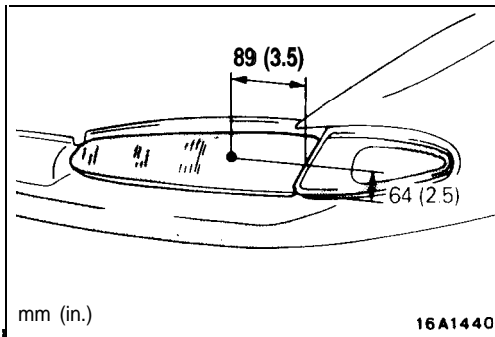
1. After pulling out the stopper upward, press gear (B) forward to disengage it from gear (A).
2. Insert the screwdriver into the horizontal adjusting hole, and adjust the horizontal angle.
3. After adjustment, align the "0" mark of gear (B) to the center line, and press in the stopper for locking.

#### NOTE

The beam angle will change about  $0^{\circ}36'$  with one mark.







**AIMING WITH SCREEN HEADLIGHT AIM PREPARATION**

- 1 Measure the center of the headlight bulb as shown in the illustration.
- 2 Place vehicle on a known level floor 3m (9.8 feet) from aiming screen or light colored wall. Four lines of adhesive tape or like are required on screen or wall:
  - (1) Position a vertical tape so that it is aligned with the vehicle center line.
  - (2) Position a horizontal tape with reference to center line of headlight bulb.
  - (3) Position a vertical tape on the screen with reference to the center line of each of headlights bulb.

**VISUAL HEADLIGHT ADJUSTMENT**

1. A properly aimed lower beam will appear on the aiming screen 3m (9.8 feet) in front of the vehicle. The shaded area as shown in the illustration indicates high intensity zone.
2. Adjust low beam of headlights to match the low beam pattern of the right and left headlights.

**\*\* Caution**

When adjusting one headlight, the other headlight should be turned off if possible. If this is not possible, do not cover the other headlight for more than three minutes while it is turned on. Otherwise, heat from the bulb may warp the headlight lens.\*\*

**Vertical Adjusting**

1. Check the position of the level bubble to confirm that it is within the range as shown in the illustration.
2. Confirm that the beam irradiated on the screen is the same as the specified beam pattern. If it is not the same, adjust the vertical angle with the vertical adjusting screw so that it becomes the specified beam pattern.

**NOTE**

If the visual headlight adjustment at low beam is made, the adjustment at high beam is not necessary.

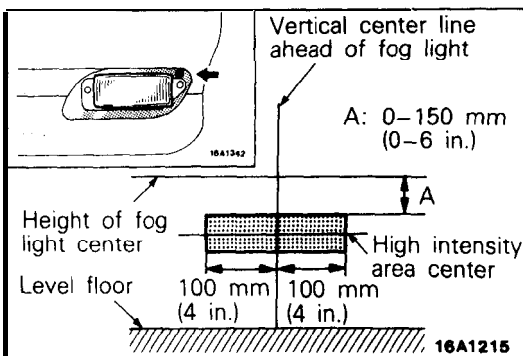
**LUMINOUS INTENSITY MEASUREMENT**

Measure the luminous intensity of headlights with a photometer in accordance with the instruction manual prepared by the manufacturer of the photometer and make sure that the luminous intensity is within the following limit.

**Limit: 20,000 cd or more**

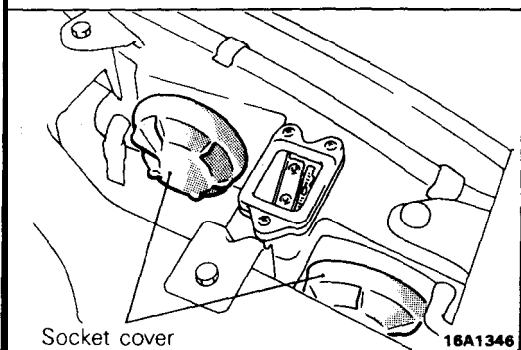
**NOTE**

- (1) When measuring the luminous intensity of headlight, keep the engine at 2,000 rpm and have the battery charged.
- (2) If there are specific regulations for luminous intensity of headlights in the region where the vehicle is operated; make sure that the intensity conforms to the requirements of such regulations.

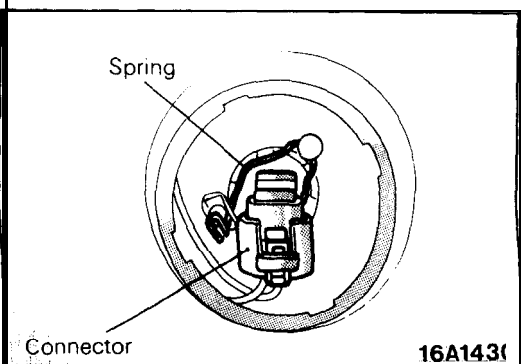
**FOG LIGHT AIMING**

NOB11EA

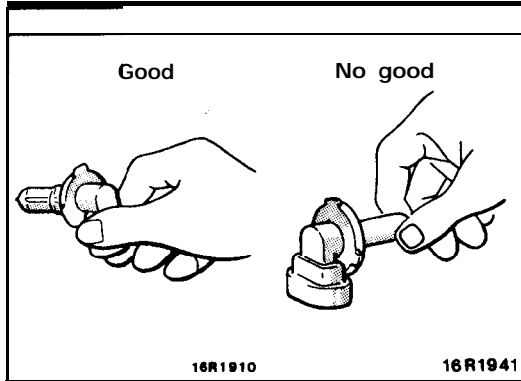
1. Place vehicle on a known level floor 7.6 m (25 feet) from aiming screen or light colored wall.
2. Use adjusting screw to adjust the top end of high intensity zone to dimension A.

**HEADLIGHT BULB REPLACEMENT**

- 1 Pull out the socket cover.



2. Remove the valve mounting spring, and pull the valve out toward you together with the connector.
3. Disconnect the bulb from the connector.



**Caution**

1. Never hold the halogen light bulb **with** a bare hand, dirty glove, etc.
2. if the glass surface is **dirty**, be sure to clean it with alcohol, paint thinner, etc., and install it after drying it thoroughly.
4. Be sure to attach the cap.

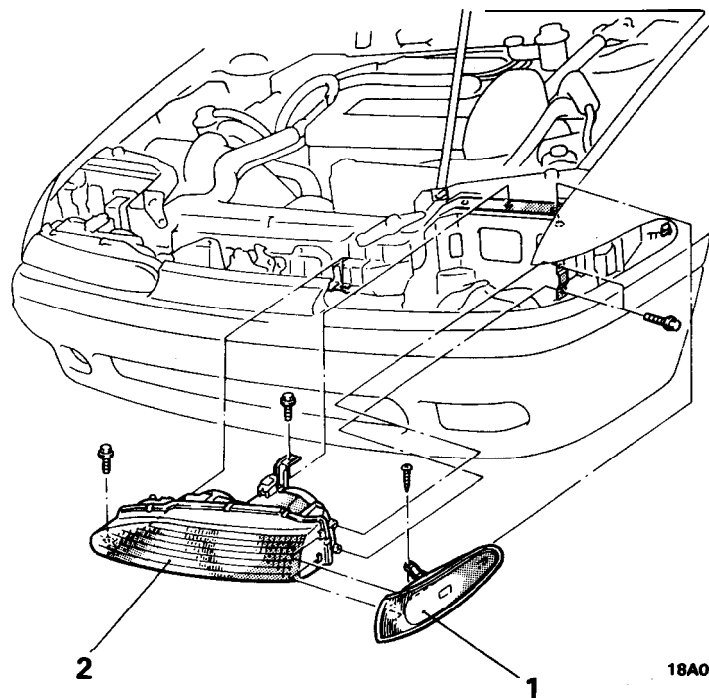
**NOTE**

Be sure to install the cap securely because, if it is not, an insecure installation could cause such problems as clouding of the lens, or intrusion of moisture to inside the light unit

**HEADLIGHT AND FRONT SIDE MARKER LIGHT**

NO8LJAQ

**REMOVAL AND INSTALLATION**

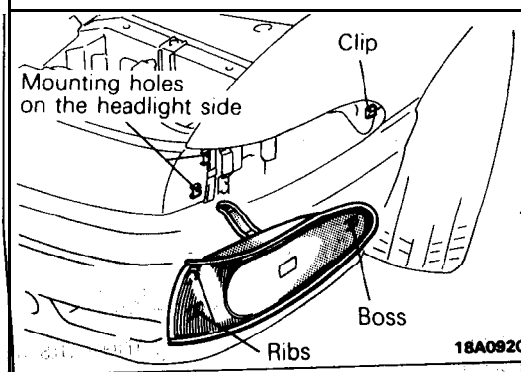


**Removal steps**

- + 1. Front side marker light
- 2. Headlight

**NOTE**

- (1) Reverse the removal procedures to reinstall.
- (2) ● 4: Refer to "Service Points of Installation"



**SERVICE POINTS OF INSTALLATION**

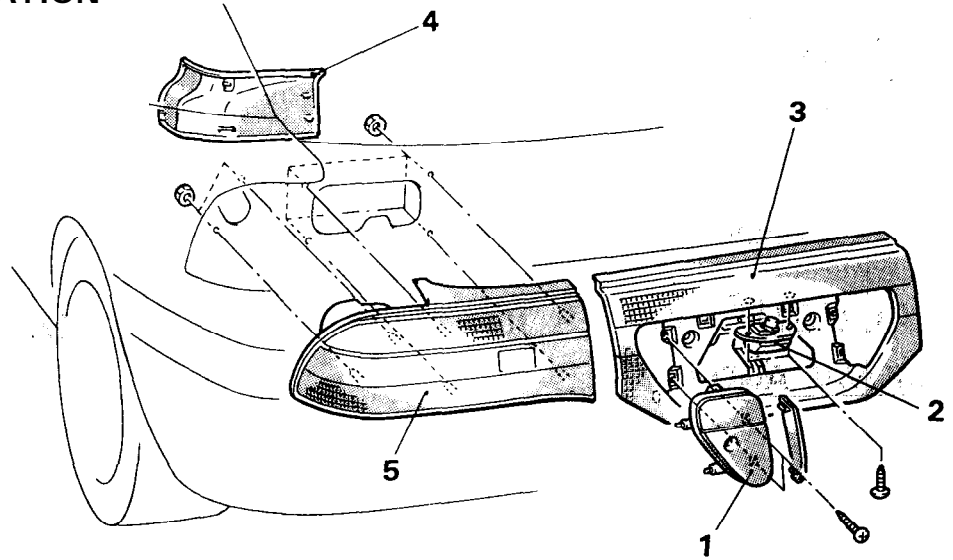
**1. INSTALLATION OF FRONT SIDE MARKER LIGHT**

Insert the boss of the front side marker light into the clip areas of the front fender, and insert the ribs of the front side marker light into the mounting holes on the headlight side. Then, mount the front side marker light with the mounting screws.

# REAR COMBINATION LIGHT

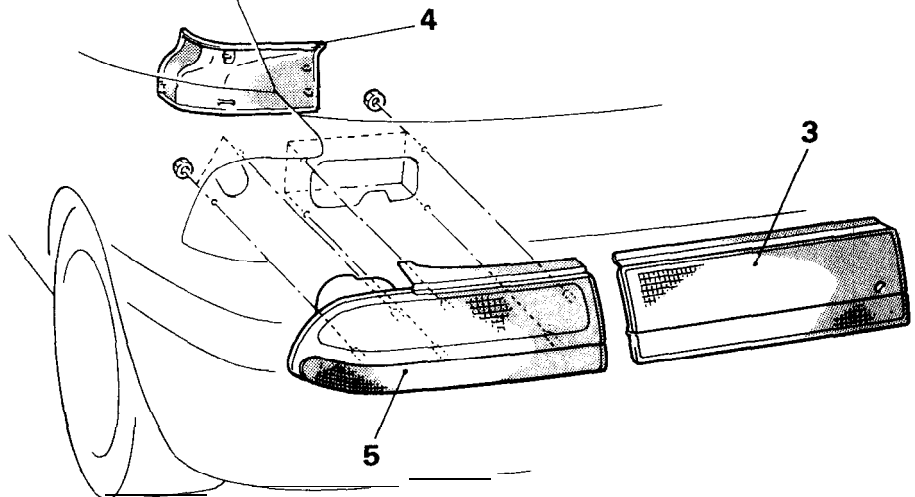
## REMOVAL AND INSTALLATION

<EAGLE Talon>



18A0927

<PLYMOUTH Laser>



18A0926

### Removal steps

- ◄◄ 1. Back-up light
- ◄◄ 2. License platelight
- ◄◄ 3. Rear panel garnish
- 4. Lid C (Lid D when the right rear combination light is removed or installed)
- 4 5. Rear combination light

### NOTE

- (1) Reverse the removal procedures to reinstall.
- (2) ◄◄: Refer to "Service Points of Removal".
- (3) ● +: Refer to "Service Points of Installation".

### SERVICE POINTS OF REMOVAL

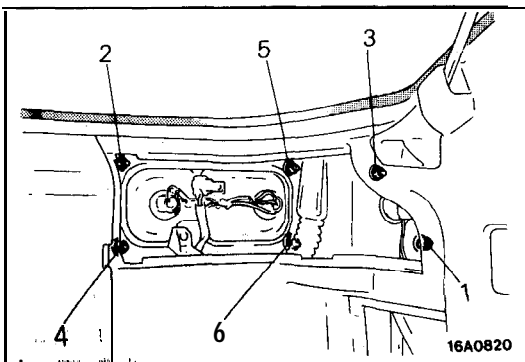
1. REMOVAL OF BACK-UP LIGHT  
Refer to GROUP 23 - Garnishes.

3. REMOVAL OF REAR PANEL GARNISH  
Refer to GROUP 23 - Garnishes.

### SERVICE POINTS OF INSTALLATION

5. INSTALLATION OF REAR COMBINATION LIGHT

Mount the rear combination light by tightening the nuts in the sequence illustrated.



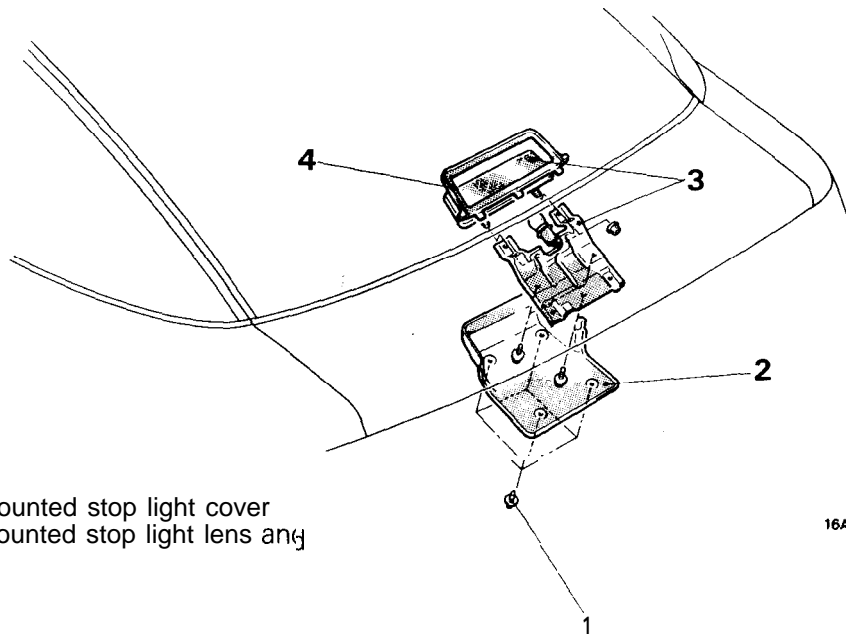
16A0820

# HIGH MOUNTED STOP LIGHT

## REMOVAL AND INSTALLATION

NOBIKAK

<Vehicles without rear air spoiler>

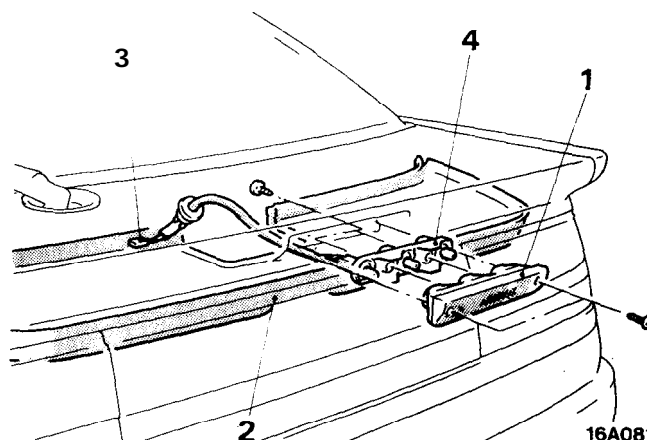


16A0815

### Removal steps

1. Clip
2. High mounted stop light cover
3. High mounted stop light lens and bracket
4. Gasket

<Vehicles with rear air spoiler>



16A0817

### Removal steps

1. High mounted stop light unit
2. Liftgate trim
3. Wiring harness connector
4. Socket

### NOTE

1) Reverse the removal procedures to reinstall,  
2) ◆◆: Refer to "Service Points of Removal".

## SERVICE POINTS OF REMOVAL

2. REMOVAL OF LIFTGATE TRIM <Vehicles with rear air spoiler >

Refer to GROUP 23—Trims.